

Part No. 99-0143

TC 50

Riveting tool with process control for installation of rivet nuts and rivet studs from M3 to M12

Scope of use:

Rivet nuts	M3	M4	M5	M6	M8	M10	M12
Aluminium, Brass	✓	✓*	✓*	✓*	✓*	✓	✓
Steel	✓	✓*	✓*	✓*	✓*	✓	
Stainless	✓	✓*	✓*	✓*	✓*	✓	

Mandrels & anvils included:

	✓	✓	✓	✓	✓		
--	---	---	---	---	---	--	--

* including pulling bolts

Technical parameters:

Model	TC 50
Pulling Force	23.5 kN / 6 bar
Working Stroke	1.5–6.5 mm
Weight	2.2 kg
Force / Weight Ratio	10.68 kN/kg
Height	291 mm
Length	253 mm
Air Consumption	4.6 litres/rivet
Working Air Pressure	5–7 bar
Hose Connection	Ø 6 mm (G 1/4")



Description:

- integrated TC system which together with evaluation of the KRB unit ensures the perfect tool for monitoring and evaluation of the riveting process

TC system indicates:

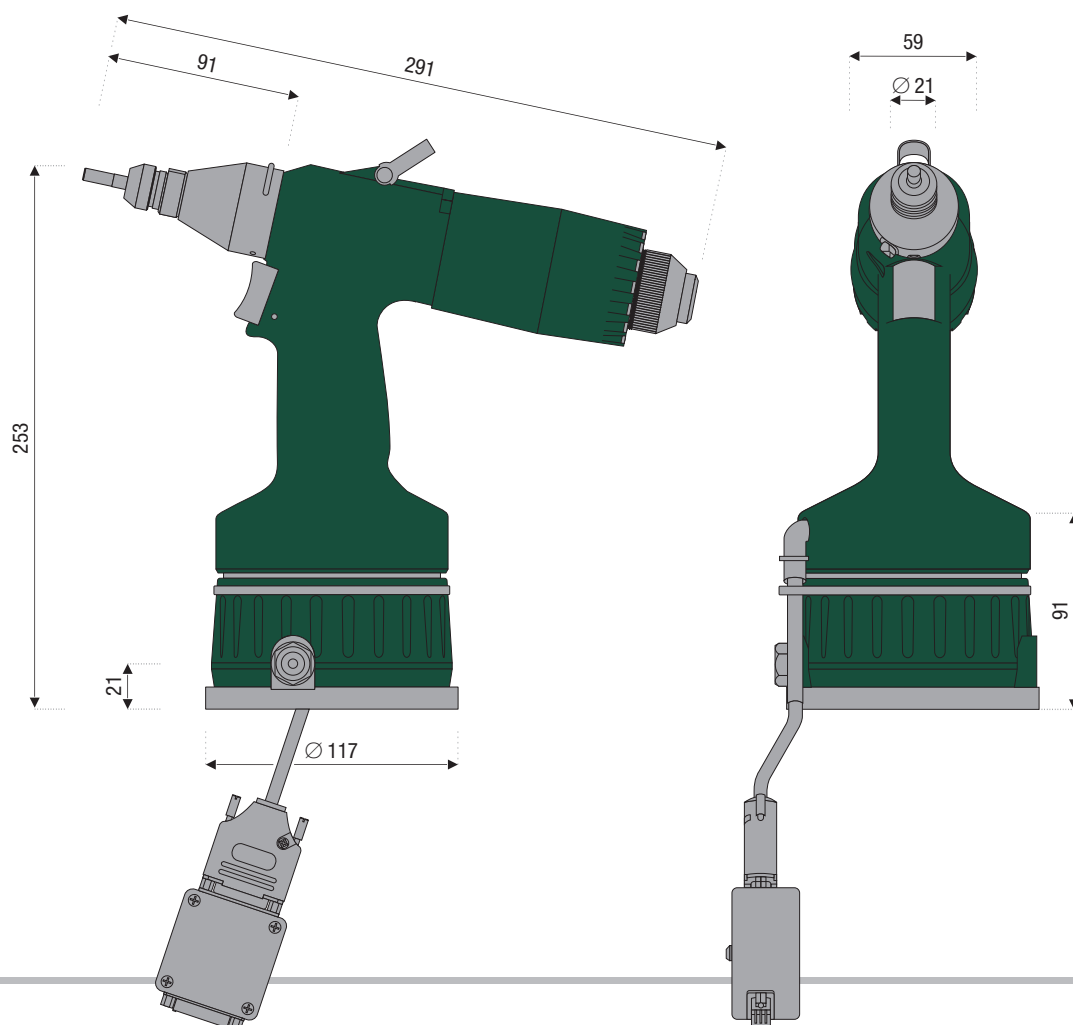
- Missing rivet
- Wrong type of rivet
- Damaged rivet
- Missing material
- Wrong setting of rivet
- Wrong alignment of material
- Damaged or defective equipment

- chip for automatic evaluation adjustment in evaluation unit
- high output at small dimensions
- one trigger control
- exact smooth stroke adjustment
- simple operation, reliability
- ergonomic handle is comfortable to hold
- low transferred vibrations
- rotating air joint connection
- air intake can be moved to suit either left or right handed operator
- button for manual spin-off
- balancer hook
- safety over-pressure dump valve
- low noise
- non slip base
- base cover prevents damage to workpiece



Dimensions of tool:

TC 50






Standard accessories:

Description	Part No.
Air Joint Assembly	87-0281
Kit for Refilling of Oil	87-0187

Optional accessories:

Description	Part No.
Hydraulic Oil for Tool - 1 Litre	87-0188
KRB 010	99-0147
Connecting Cable 3 m	87-0295

Anvils, mandrels and pulling bolts:

	TC 50			
M3	87-0026	87-0039		
M4	87-0027	87-0040	87-0046	
M5	87-0028	87-0041	87-0047	
M6	87-0029	87-0042	87-0048	
M8	87-0030	87-0043	87-0049	
M10	87-0031	87-0044		
M12	87-0032	87-0045		

