

Part No. 99-0025

# RL100

Hydropneumatic tool for installation of rivet nuts and rivet studs from M6 to M16

## Scope of use:

Rivet nuts	M6	M8	M10	M12	M14	M16
Aluminium, Brass	✓*	✓*	✓	✓	✓	✓
Steel	✓*	✓*	✓	✓	✓	✓
Stainless	✓*	✓*	✓	✓	✓	✓

Mandrels & anvils included

	✓	✓	✓		
--	---	---	---	--	--

\* including pulling bolts

## Technical parameters:

Model	RL 100
Pulling Force	34 kN / 6 bar
Working Stroke	2.5–9 mm
Weight	2.9 kg
Force / Weight Ratio	11.72 kN/kg
Length	329 mm
Height	306 mm
Air Consumption	6.2 litres / rivet
Working Air Pressure	5–7 bar
Hose Connection	Ø 6 mm (G 1/4")



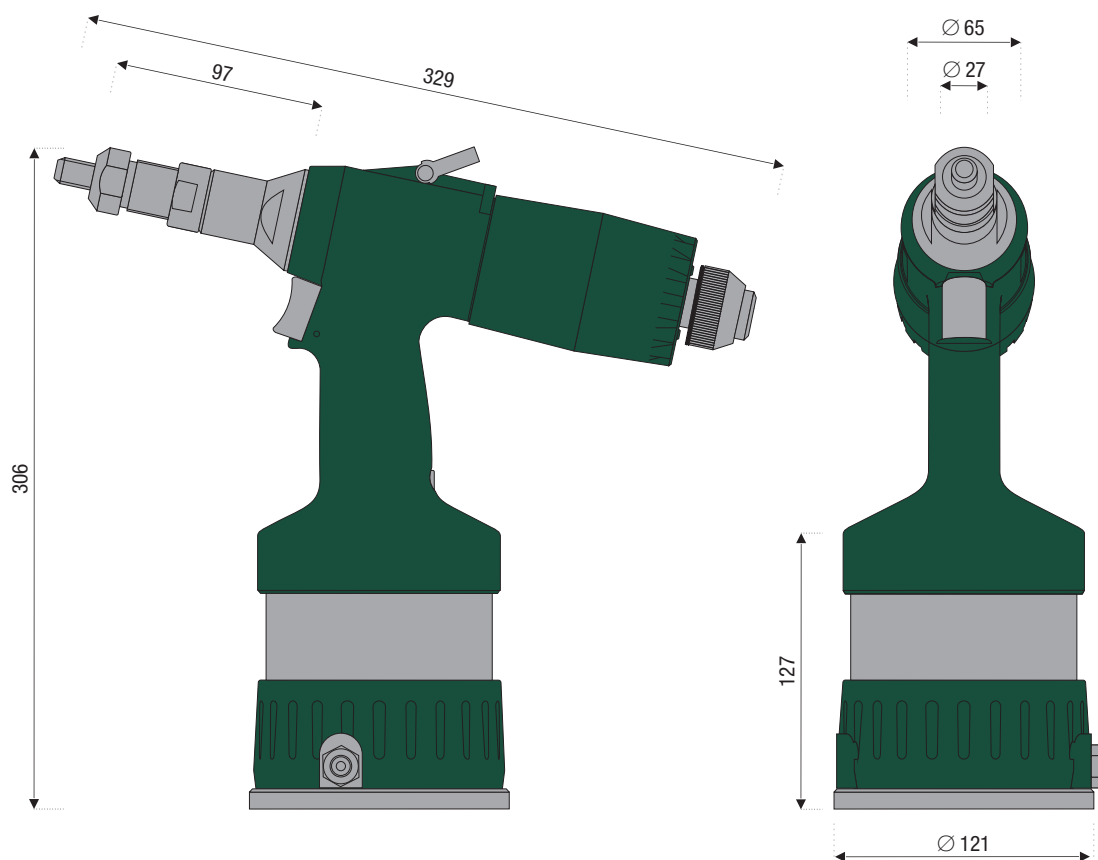
## Description:

- the only tool with range M6–M16 worldwide
- high output at small dimensions
- one trigger control
- exact smooth stroke adjustment
- simple operation
- low noise
- low maintenance
- fastener spins off automatically
- ergonomic handle is comfortable to hold
- low transferred vibrations
- rotating air joint connection
- air intake can be moved to suit either left or right handed operator
- button for manual spin-off
- balancer hook
- safety over-pressure dump valve
- reliability verified in practice
- non slip base
- base cover prevents damage to workpiece



Dimensions of tool:

# RL100



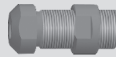

### Standard accessories:

Description	Part No.
Air Joint Assembly	87-0281
Kit for Refilling of Oil	87-0187

### Optional accessories:

Description	Part No.
Hydraulic Oil for Tool - 1 Litre	87-0188

### Anvils and mandrels:

RL100		
M6	87-0033	87-0288
M8	87-0034	87-0289
M10	87-0035	87-0290
M12	87-0036	87-0291
M14	87-0037	87-0292
M16	87-0038	87-0293