

Part No. 99-0012

# HL9

Double-lever hand tool  
for installation of rivet nuts  
and rivet studs  
from M3 to M12



## Scope of use:

Rivet nuts	M3	M4	M5	M6	M8	M10	M12
Aluminium, Brass	✓	✓*	✓*	✓*	✓*	✓	✓
Steel	✓	✓*	✓*	✓*	✓*	✓	
Stainless	✓	✓*	✓*	✓*	✓*	✓	

Mandrels & anvils  
included

		✓	✓	✓	✓		
--	--	---	---	---	---	--	--

\* including pulling bolts

## Technical parameters:

Model	HL 9
Working stroke	7 mm
Weight	2 kg
Length	150 mm
Height	510 mm

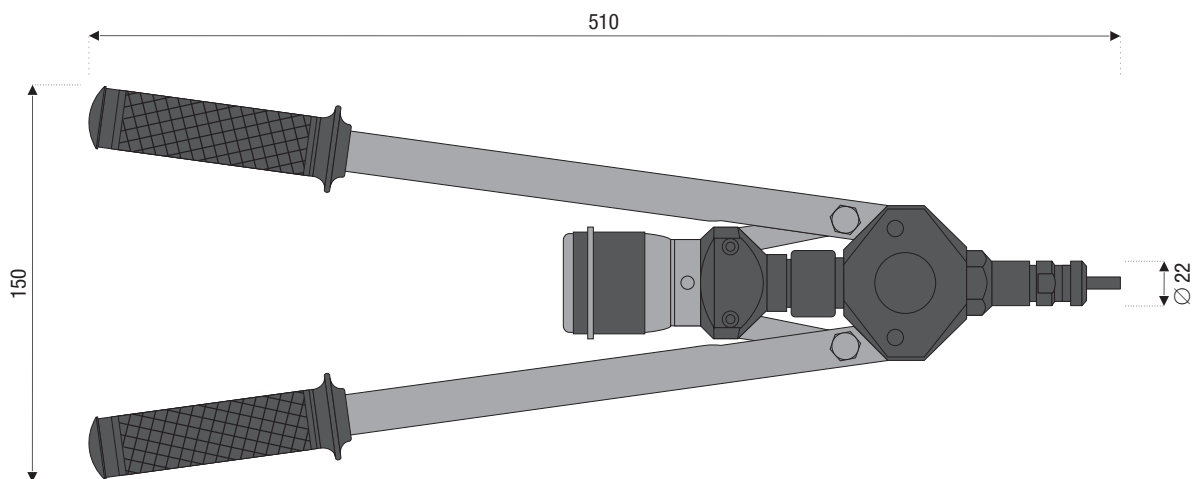
## Description:

- quick spin-on and spin-off of the mandrel save time and increases ease of use
- used to install medium and large series of standard rivet nuts and rivet studs
- easy adjustable stroke
- robust construction
- comfortable and fast operation
- high efficiency



Dimensions of tool:

# HL 9



## Standard accessories:

Description	Part No.
Mandrel M5	87-0041
Mandrel M6	87-0042
Mandrel M8	87-0043
Mandrel M10	87-0044
Anvil 5	87-0028
Anvil 6	87-0029
Anvil 8	87-0030
Anvil 10	87-0031

## Optional accessories:

Description	Part No.
Pulling bolt M5	87-0047
Pulling bolt M6	87-0048
Pulling bolt M8	87-0049
Mandrel M12	87-0045
Anvil 12	87-0032