

Fastening Technology / Blind Rivets

POP[®] LSR Folding Leg Blind Rivets



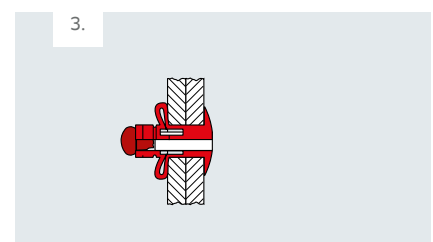
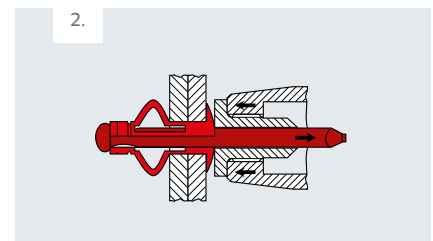
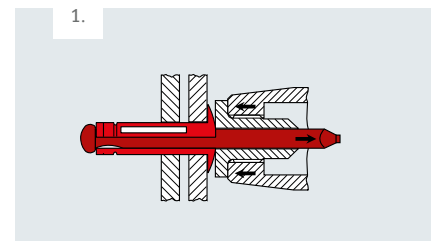
Contents

| | | | Page |
|-----------------------------------|------------|---------------------|------|
| POP® LSR folding leg blind rivets | Overview | | 5 |
| | Truss head | Aluminium/aluminium | 6 |

POP® LSR folding leg blind rivets



POP® LSR folding leg blind rivets with load-distributing properties are especially suited for use on soft, fragile or brittle materials. They fit very snugly and securely in metal/plastic fastenings and have a very large grip range. The folding sleeve expands into three legs on the blind side. This claw technique creates a large contact surface on the blind side. The contact load distributes across the rear material and provides high pull-out resistance.



Benefits at a glance

- Ideal for “hard/soft” connections, such as plastics or GRP
- Universal use
- Quick and secure installation
- Permanent secure fixing
- Heatless installation means component will not warp.
- Eliminates extensive refinishing

Applications

- General industry
- Automotive industry
- Bodywork and vehicle manufacture

POP® LSR folding leg blind rivets

Truss head

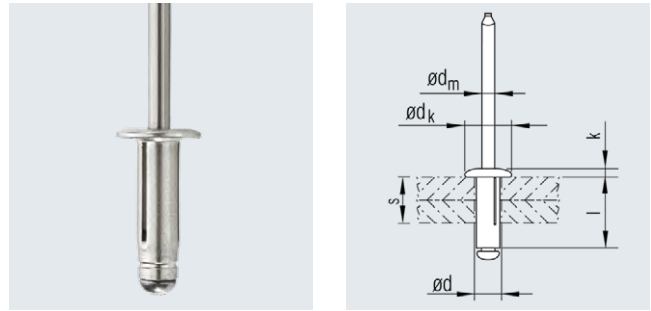
Material

Sleeve

Aluminium AlMg3/3.5

Mandrel

Aluminium



| Nominal \varnothing d [mm] | Bore \varnothing [mm] | Grip range s [mm] | Blind sleeve l ± 0.5 [mm] | Blind rivet head | | Mandrel \varnothing dm nom. [mm] | Nominal strength at break* | | Article No. |
|---------------------------------------|-------------------------------|-------------------------|-------------------------------------|---------------------------------------|-------------------------|---|----------------------------|--------------|-------------|
| | | | | \varnothing dk ± 0.4 [mm] | Height k max [mm] | | Shear N | Tensile N | |
| 3.2 | 3.4 - 3.5 | 0.5 - 6.4 | 17.2 | 6.4 | 1.2 | 1.8 | 400 | 500 | 300 833 001 |
| 4 | 4.2 - 4.3 | 0.5 - 6.4 | 17.5 | 8.0 | 1.4 | 2.3 | 700 | 900 | 300 840 000 |
| | | 3.0 - 9.5 | 21.3 | 8.0 | 1.4 | 2.3 | 700 | 900 | 300 841 000 |
| | | 3.0 - 9.5 | 25 | 8.0 | 1.4 | 2.3 | 700 | 900 | 300 842 000 |
| 4.8 | 5.0 - 5.2 | 0.5 - 6.4 | 17.5 | 9.5 | 1.6 | 2.6 | 1000 | 1400 | 300 850 001 |
| | | 3.0 - 9.5 | 19.8 | 9.5 | 1.6 | 2.6 | 1000 | 1400 | 300 851 001 |
| | | 5.0 - 12.0 | 23.5 | 9.5 | 1.6 | 2.6 | 1000 | 1400 | 300 852 001 |

* Strengths at break relate to rivet failure.

Other designs available on request.

Copyright

All texts, images, technical documents and other information contained in this catalogue are subject to copyright held by Titgemeyer GmbH & Co. KG. Any reproduction or disclosure, whether as a copy or other form of duplication or use, is expressly prohibited without the prior consent of Titgemeyer GmbH & Co. KG.

Registered trademarks

The trademarks BÖRTI, GETO, GETO therm, GETOVAN, GTO, LockBolt, MEGA PORT, plasti van, PLYFIX, POLYSTIC, press-ti, RIEKO, RIV-TI, ROLL-TO, TIBOLT, TIBULB, TIFAS, TILA, TIOS and Titgemeyer are registered trademarks and the intellectual property of Titgemeyer GmbH & Co. KG.

Term of Delivery and Payment

All deliveries are carried out in compliance with our Terms of Delivery and Payment.

Limitation of liability

All technical data, performance descriptions, drawings, illustrations, measurements, weights or any other performance data, recommendations and guidelines contained in this catalogue and relating to the installation of parts that we supply are only binding if so expressly agreed. Moreover, the user is obliged at all times to check each individual use and decide whether the components that we supply can be used as needed.

We accept liability in the case of wilful intent, gross negligence and infringement of cardinal contractual duties as well as for errors in respect of express or implied representations. Notwithstanding this, any claims for compensation not explicitly agreed to in these terms and conditions are hereby excluded in the case of customers who are not consumers and, in the case of such customers, who are not consumers, at all events limited to the damage foreseeable at the time of concluding the contract as well as to the value of the delivered consignment. To the extent that our liability is excluded or limited, this shall extend accordingly to the personal liability of employees, legal representatives and vicarious agents. In all instances of gross negligence committed by vicarious agents, we shall solely be liable to customers, who are not consumers, to compensate for typically foreseeable damage. The statutory regulation governing the burden of proof shall remain unaffected. The aforementioned limitation of liability shall not apply to claims resulting from product liability, for damage resulting from injury to life, limb or health, or for damage to privately used property.

All technical specifications contained in this brochure are approximate and no guarantee is given as to their accuracy. Designs are subject to change.

About us

The Titgemeyer Group is a leading company for fastening technology and vehicle components at 15 locations in Europe.

The traditional company develops, manufactures and sells more than 30,000 fastening elements, tools and vehicle components – in series production and on request.

Headquarters

Titgemeyer GmbH & Co. KG
Hannoversche Straße 97
49084 Osnabrück / DE

PO Box 4320
49033 Osnabrück / DE

T +49 541 5822-0
E info@titgemeyer.com
W titgemeyer.com



Sales locations

Titgemeyer Austria GmbH
Brunner Straße 77 - 79
1230 Wien / AT

T +43 (0) 1/6 67 90 40 - 0
E sales@titgemeyer.com
W titgemeyer.at

Titgemeyer CZ spol. s r. o.
U Vodárny 1506
397 01 Písek / CZ

T +420 382 2067 - 25
E sales@titgemeyer.com
W titgemeyercz.cz

Titgemeyer Polska sp. z o.o.
Cypriana Bazylika 17
98-200 Sieradz / PL

T +48 (0) 43 828 20 - 15
E sales@titgemeyer.com
W titgemeyer.pl

Titgemeyer Skandinavien A/S
Lunikvej 32
2670 Greve / DK

T +45 4360 0966
E info@titgemeyer.dk
W titgemeyer.dk

Titgemeyer Skandinavien A/S
Box 3218
550 03 Jönköping / SE

T +46 36 128350
E info@titgemeyer.se
W titgemeyer.se

Titgemeyer Skandinavien A/S
Korkeakoulunkatu 7
33720 Tampere / FI

T +358 (0) 400 448 401
E info@titgemeyer.fi
W titgemeyer.fi

Titgemeyer Turkey Baglanti Teknolojileri San. ve Tic. A.S.
Barbaros Mah. Is Merkezi No.1
Kat: 8 D.58
34746 Atasehir, Istanbul / TUR

T +90 (0) 21 66 88 20 - 27
E sales@titgemeyer.com.tr
W titgemeyer.com.tr

Titgemeyer (UK) Limited
A2 Link One Industrial Park
George Henry Road
DY4 7BU Tipton / UK

T +44 (0) 1 21 5 57 97 - 77
E sales@titgemeyer.co.uk
W titgemeyer.co.uk

Production sites

Cirteq Limited
'Hayfield' Colne Road,
Glusburn, Keighley,
West Yorkshire, BD20 8QP

T +44 1535 633333
E sales@cirteq.com
W cirteq.com

Titgemeyer Tools & Automation spol s.r.o.
U Vodárny 1506
397 01 Písek / CZ

T +42 382 2067 - 11
E info@rivetec.cz
W rivetec.cz

RIEKO GmbH
Robert-Bosch-Straße 9
72124 Pliezhausen / DE

T +49 7127 9744 - 0
E info@rieko-web.com
W rieko-web.com

Titgemeyer GmbH & Co. KG Werk Lotte
Daimlerstraße 13 - 15
49504 Lotte / DE

T +49 5404 9666 - 0
E info@titgemeyer.com
W titgemeyer.com

TS Gesellschaft für Transport- und Sicherungssysteme mbH
Haßlinghauser Straße 156
58285 Gevelsberg / DE

T +49 541 5822 - 900
E ts@cargocontrol.de
W wir-sind-ladungssicherung.de