

Fastening Technology / Blind Rivets

# TIFAS<sup>®</sup> Star Blind Rivets



# Contents

			Page
TIFAS® Star blind rivets	Overview		3
	Dome head	Steel/steel	4
	Dome head	Aluminium/aluminium	5
	Large dome head	Aluminium/aluminium	6

# TIFAS® Star blind rivets



TIFAS® Star blind rivets form three folding legs on the blind side on installation. These large-shaped folding legs evenly and sparingly distribute the resulting clamp force across the riveted material.

What's more, the large footprint created by the folding legs superbly prevents the rivet from being pulled all the way through very soft, porous or brittle components. The captive mandrel prevents setting errors or rattles.

The unique design of the TIFAS® Star makes it capable of compensating for oversized or irregular bore diameters.

Also available in steel or aluminium with large head.

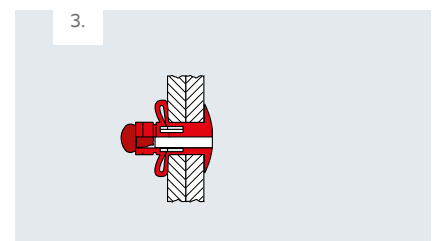
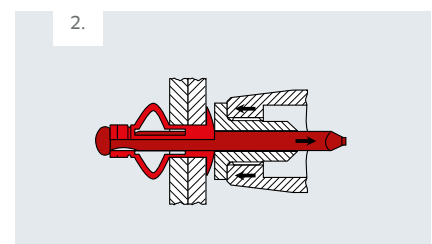
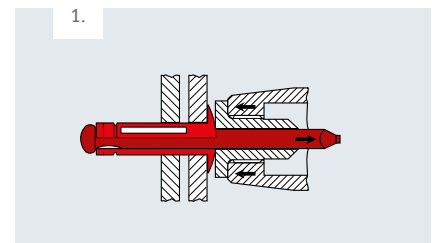
TIFAS® Star blind rivets are perfectly suited for the automotive sector, e.g. plastic panelling, bodywork components and vehicle interiors, but also for every other application that is especially soft, brittle, easily deformed, or porous.

## Benefits at a glance

- Ideal for hard/soft connections
- Large blind-side footprint for ideal load distribution
- Generous drill hole tolerances
- Quick and secure installation
- Permanent secure fixing
- Heatless installation means component will not warp.
- Eliminates extensive refinishing
- Fastens different types of material, such as metal or plastic
- Ideal for lightweight constructions
- Folding legs form a very large blind-side footprint
- Distributes the contact load on the rear material and provides high pull out resistance
- Multi-range properties - covers numerous areas of material strength
- Securely retained mandrel head

## Applications

- General industry
- Automotive industry
- Construction industry
- Bodywork and vehicle manufacture
- Plastics industry



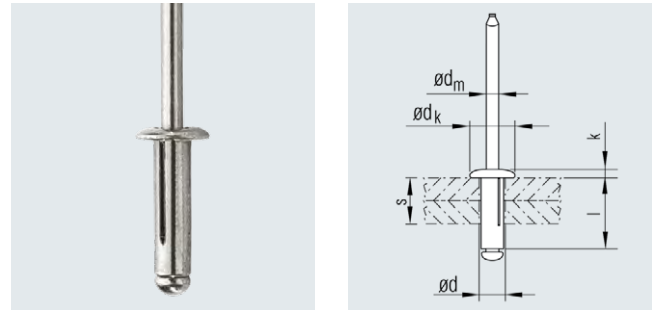
# TIFAS® Star blind rivets

## Dome Head

### Material

Sleeve  
Steel, galvanised,  
passivated

Mandrel  
Steel, galvanised



Nominal $\varnothing$ $d$ [mm]	Bore $\varnothing$ [mm]	Grip range $s$ [mm]	Blind sleeve $l \pm 0.5$ [mm]	Blind rivet head		Mandrel $\varnothing$ $d_m$ nom. [mm]	Nominal strength at break*		Article No.
				$\varnothing$ $dk \pm 0.3$ [mm]	Height $k \pm 0.3$ [mm]		Shear N	Tensile N	
4.8	5.0 - 5.2	1.0 - 6.4	17.2	9.8	1.8	2.9	2000	2500	424 870 000
		3.0 - 8.5	19.5	9.8	1.8	2.9	2000	2500	424 871 000

\* Strengths at break relate to rivet failure.

Other designs available on request.

# TIFAS® Star blind rivets

## Dome Head

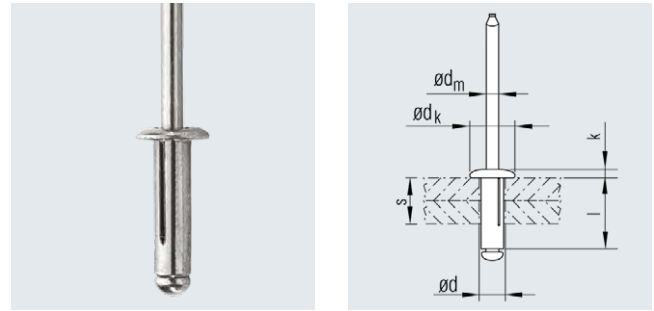
### Material

Sleeve

Aluminium AlMg 2.0/2.5

Mandrel

Aluminium AlMg 2.0/2.5



Nominal $\varnothing$ d [mm]	Bore $\varnothing$ [mm]	Grip range s [mm]	Blind sleeve l $\pm 0.5$ [mm]	Blind rivet head $\varnothing$ dk $\pm 0.3$ [mm]	Height k $\pm 0.2$ [mm]	Mandrel $\varnothing$ dm nom. [mm]	Nominal strength at break*		Article No.
							Shear N	Tensile N	
4.0	4.2 - 4.5	1.0 - 3.0	13.6	8.0	1.4	2.3	540	830	424 630 000
		1.0 - 7.0	18.8	8.0	1.4	2.3	540	830	424 631 000
		5.0 - 12.0	24.8	8.0	1.4	2.3	540	830	424 632 000
4.8	5.0 - 5.3	1.0 - 4.0	15.3	9.8	1.8	2.9	800	1070	424 634 000
		1.0 - 6.3	17.5	9.8	1.8	2.9	800	1070	424 635 000
		1.0 - 9.0	20.5	9.8	1.8	2.9	800	1070	424 636 000
		4.0 - 12.0	24.0	9.8	1.8	2.9	800	1070	424 637 000
		8.0 - 16.0	28.0	9.8	1.8	2.9	800	1070	424 638 000
		11.0 - 19.0	31.0	9.8	1.8	2.9	800	1070	424 639 000

\* Strengths at break relate to rivet failure.

Other designs available on request.

# TIFAS® Star Blind Rivets

## Large dome head

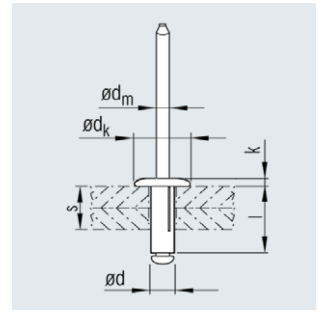
### Material

Sleeve

Aluminium AlMg 2.0/2.5

Mandrel

Aluminium AlMg 2.0/2.5



Nominal $\varnothing$ d [mm]	Bore $\varnothing$ [mm]	Grip range s [mm]	Blind sleeve l $\pm 0.5$ [mm]	Blind rivet head		Mandrel $\varnothing$ d <sub>m</sub> nom. [mm]	Nominal strength at break*		Article No.
				$\varnothing$ dk $\pm 0.3$ [mm]	Height k $\pm 0.3$ [mm]		Shear N	Tensile N	
4.8	5.0 - 5.3	1.0 - 4.0	15.3	14.0	2.0	2.9	800	1000	424 640 000
		1.0 - 4.0	15.3	15.9	2.0	2.9	800	1000	424 645 000
		1.0 - 6.3	17.5	14.0	2.0	2.9	800	1000	424 641 000
		1.0 - 9.0	20.5	14.0	2.0	2.9	800	1000	424 642 000
		1.0 - 9.0	20.5	15.9	2.0	2.9	800	1000	424 646 000
		4.0 - 12.0	24.0	14.0	2.0	2.9	800	1000	424 643 000
		4.0 - 12.0	24.0	15.9	2.0	2.9	800	1000	424 647 000

\* Strengths at break relate to rivet failure.

Other designs available on request.

**Copyright**

All texts, images, technical documents and other information contained in this catalogue are subject to copyright held by Titgemeyer GmbH & Co. KG. Any reproduction or disclosure, whether as a copy or other form of duplication or use, is expressly prohibited without the prior consent of Titgemeyer GmbH & Co. KG.

**Registered trademarks**

The trademarks BÖRTI, GETO, GETO therm, GETOVAN, GTO, LockBolt, MEGA PORT, plasti van, PLYFIX, POLYSTIC, press-ti, RIEKO, RIV-TI, ROLL-TO, TIBOLT, TIBULB, TIFAS, TILA, TIOS and Titgemeyer are registered trademarks and the intellectual property of Titgemeyer GmbH & Co. KG.

**Term of Delivery and Payment**

All deliveries are carried out in compliance with our Terms of Delivery and Payment.

**Limitation of liability**

All technical data, performance descriptions, drawings, illustrations, measurements, weights or any other performance data, recommendations and guidelines contained in this catalogue and relating to the installation of parts that we supply are only binding if so expressly agreed. Moreover, the user is obliged at all times to check each individual use and decide whether the components that we supply can be used as needed.

We accept liability in the case of wilful intent, gross negligence and infringement of cardinal contractual duties as well as for errors in respect of express or implied representations. Notwithstanding this, any claims for compensation not explicitly agreed to in these terms and conditions are hereby excluded in the case of customers who are not consumers and, in the case of such customers, who are not consumers, at all events limited to the damage foreseeable at the time of concluding the contract as well as to the value of the delivered consignment. To the extent that our liability is excluded or limited, this shall extend accordingly to the personal liability of employees, legal representatives and vicarious agents. In all instances of gross negligence committed by vicarious agents, we shall solely be liable to customers, who are not consumers, to compensate for typically foreseeable damage. The statutory regulation governing the burden of proof shall remain unaffected. The aforementioned limitation of liability shall not apply to claims resulting from product liability, for damage resulting from injury to life, limb or health, or for damage to privately used property.

**All technical specifications contained in this brochure are approximate and no guarantee is given as to their accuracy. Designs are subject to change.**

## About us

The Titgemeyer Group is a leading company for fastening technology and vehicle components at 15 locations in Europe.

The traditional company develops, manufactures and sells more than 30,000 fastening elements, tools and vehicle components – in series production and on request.

### Headquarters

**Titgemeyer GmbH & Co. KG**  
Hannoversche Straße 97  
49084 Osnabrück / DE

PO Box 4320  
49033 Osnabrück / DE

T +49 541 5822-0  
E [info@titgemeyer.com](mailto:info@titgemeyer.com)  
W [titgemeyer.com](http://titgemeyer.com)



### Sales locations

**Titgemeyer Austria GmbH**  
Brunner Straße 77 - 79  
1230 Wien / AT

T +43 (0) 1/6 67 90 40 - 0  
E [sales@titgemeyer.com](mailto:sales@titgemeyer.com)  
W [titgemeyer.at](http://titgemeyer.at)

**Titgemeyer CZ spol. s r. o.**  
U Vodárny 1506  
397 01 Písek / CZ

T +420 382 2067 - 25  
E [sales@titgemeyer.com](mailto:sales@titgemeyer.com)  
W [titgemeyercz.cz](http://titgemeyercz.cz)

**Titgemeyer Polska sp. z o.o.**  
Cypriana Bazylika 17  
98-200 Sieradz / PL

T +48 (0) 43 828 20 - 15  
E [sales@titgemeyer.com](mailto:sales@titgemeyer.com)  
W [titgemeyer.pl](http://titgemeyer.pl)

**Titgemeyer Skandinavien A/S**  
Lunikvej 32  
2670 Greve / DK

T +45 4360 0966  
E [info@titgemeyer.dk](mailto:info@titgemeyer.dk)  
W [titgemeyer.dk](http://titgemeyer.dk)

**Titgemeyer Skandinavien A/S**  
Box 3218  
550 03 Jönköping / SE

T +46 36 128350  
E [info@titgemeyer.se](mailto:info@titgemeyer.se)  
W [titgemeyer.se](http://titgemeyer.se)

**Titgemeyer Skandinavien A/S**  
Korkeakoulunkatu 7  
33720 Tampere / FI

T +358 (0) 400 448 401  
E [info@titgemeyer.fi](mailto:info@titgemeyer.fi)  
W [titgemeyer.fi](http://titgemeyer.fi)

**Titgemeyer Turkey Baglanti Teknolojileri San. ve Tic. A.S.**  
Barbaros Mah. Is Merkezi No.1  
Kat: 8 D.58  
34746 Atasehir, Istanbul / TUR

T +90 (0) 21 66 88 20 - 27  
E [sales@titgemeyer.com.tr](mailto:sales@titgemeyer.com.tr)  
W [titgemeyer.com.tr](http://titgemeyer.com.tr)

**Titgemeyer (UK) Limited**  
A2 Link One Industrial Park  
George Henry Road  
DY4 7BU Tipton / UK

T +44 (0) 1 21 5 57 97 - 77  
E [sales@titgemeyer.co.uk](mailto:sales@titgemeyer.co.uk)  
W [titgemeyer.co.uk](http://titgemeyer.co.uk)

### Production sites

**Cirteq Limited**  
'Hayfield' Colne Road,  
Glusburn, Keighley,  
West Yorkshire, BD20 8QP

T +44 1535 633333  
E [sales@cirteq.com](mailto:sales@cirteq.com)  
W [cirteq.com](http://cirteq.com)

**Titgemeyer Tools & Automation spol s.r.o.**  
U Vodárny 1506  
397 01 Písek / CZ

T +42 382 2067 - 11  
E [info@rivetec.cz](mailto:info@rivetec.cz)  
W [rivetec.cz](http://rivetec.cz)

**RIEKO GmbH**  
Robert-Bosch-Straße 9  
72124 Pliezhausen / DE

T +49 7127 9744 - 0  
E [info@rieko-web.com](mailto:info@rieko-web.com)  
W [rieko-web.com](http://rieko-web.com)

**Titgemeyer GmbH & Co. KG Werk Lotte**  
Daimlerstraße 13 - 15  
49504 Lotte / DE

T +49 5404 9666 - 0  
E [info@titgemeyer.com](mailto:info@titgemeyer.com)  
W [titgemeyer.com](http://titgemeyer.com)

**TS Gesellschaft für Transport- und Sicherungssysteme mbH**  
Haßlinghauser Straße 156  
58285 Gevelsberg / DE

T +49 541 5822 - 900  
E [ts@cargocontrol.de](mailto:ts@cargocontrol.de)  
W [wir-sind-ladungssicherung.de](http://wir-sind-ladungssicherung.de)