

Part No. 99-0084

RL 6100

Hydropneumatic hexagonal hole cutter

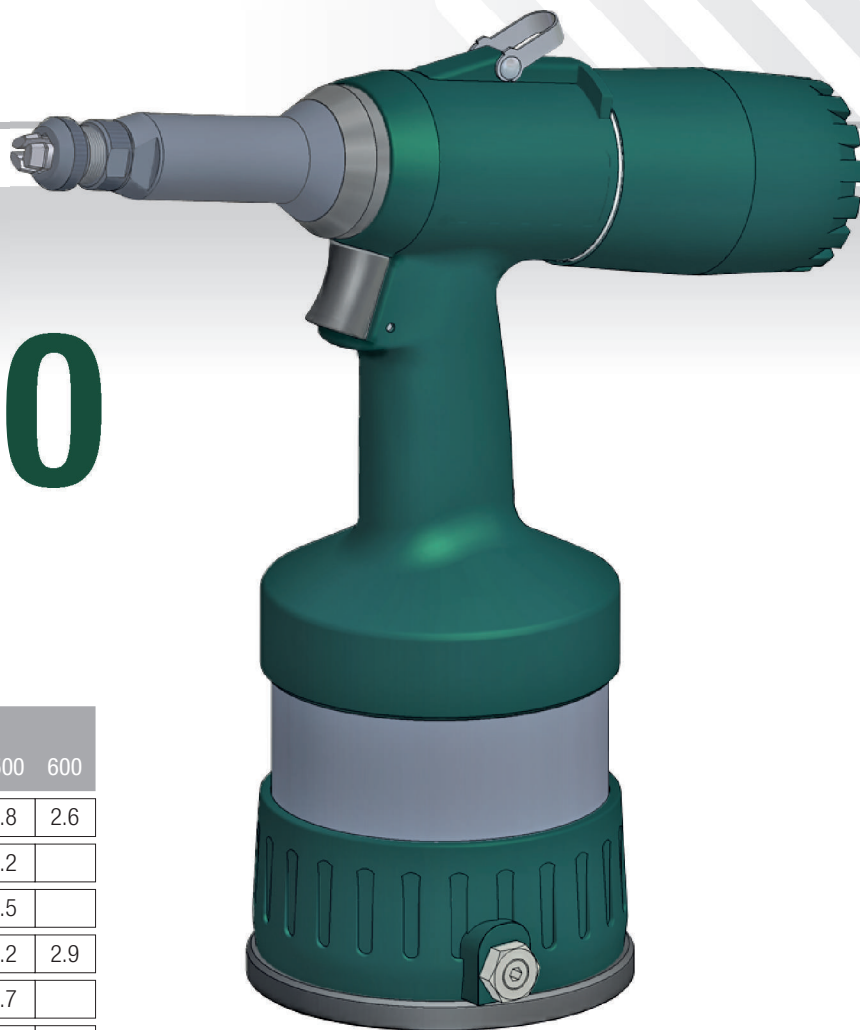
Scope of use:

	Strength of material (MPa)	Thickness of material (mm)					
		100	200	300	400	500	600
M8* Ø 11.1 mm	Steel			3.5	3.1	2.8	2.6
	Brass		4.1	3.7	3.5	3.2	
	Dural (Al)	4.6	4.2	3.9	3.7	3.5	
M6* Ø 9.1 mm	Steel			4.1	3.5	3.2	2.9
	Brass		4.8	4.4	4	3.7	
	Dural (Al)	5.5	5	4.6	4.3	4	
M5* Ø 7.1 mm	Steel			5	4.3	3.9	3.5
	Brass		5.9	5.3	4.9	4.5	
	Dural (Al)	6	6	5.6	5.2	4.9	
M4* Ø 6.1 mm	Steel			5.8	5	4.5	4
	Brass		6	6	5.7	5.3	
	Dural (Al)	6	6	6	6	5.7	

* size of rivet, hole before cutting

Technical parameters:

Model	RL 6100
Puling Force	34 kN / 6 bar
Working Stroke	9 mm
Weight	2.9 kg
Force / Weight Ratio	11.72 kN/kg
Length	282 mm
Height	303 mm
Air Consumption	6.2 litres/hole
Working Air Pressure	5–7 bar
Hose Connection	Ø 6 mm (G 1/4")



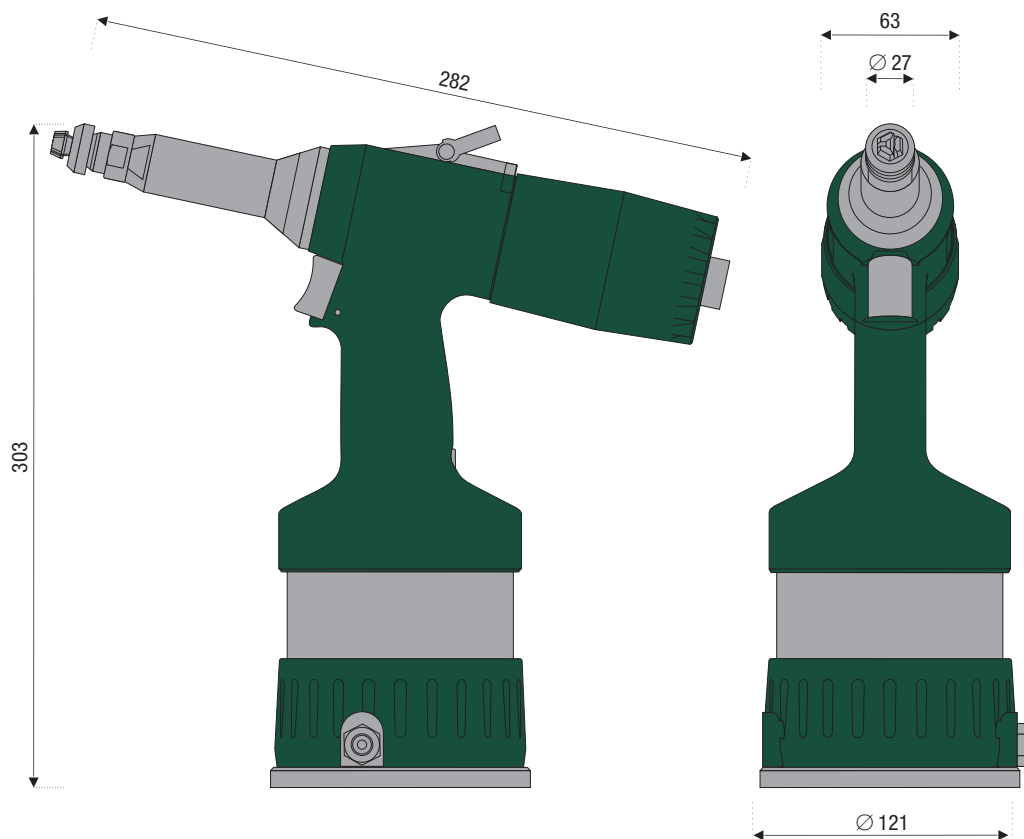
Description:

- high output at small dimensions
- control of the whole process with only one trigger
- robust construction
- simple operation
- simple exchange of cutters
- low noise
- low maintenance
- ergonomic handle is comfortable to hold
- low transferred vibrations
- rotating air joint connection
- air intake can be moved to suit either left or right handed operator
- balancer hook
- safety over-pressure dump valve
- non slip base
- base cover prevents damage to workpiece



Dimensions of tool:

RL 6100



Standard accessories:

Description	Part No.
Cutter Kit for M4 up to 3 mm	87-0001
Cutter Kit for M5 up to 3 mm	87-0002
Cutter Kit for M6 up to 3 mm	87-0003
Cutter Kit for M8 up to 3 mm	87-0004
Cutter Kit for M5 up to 6 mm	87-0005
Cutter Kit for M6 up to 6 mm	87-0006
Cutter Kit for M8 up to 6 mm	87-0007
Air Joint Assembly	87-0281
Kit for Refilling of Oil	87-0187

Optional accessories:

Description	Part No.
Hydraulic Oil for Tool - 1 Litre	87-0188