

Part No. 99-0016

HL 6M

Double-lever hand tool
for installation of blind rivets
from 4 to 6.4 mm



Scope of use:

| Ø of the rivet | 2.4 | 3 / 3.2 | 4 | 4.8 / 5 | 6 | 6.4 |
|--------------------------|-----|---------|---|---------|---|-----|
| Aluminium, Copper, Brass | | | ✓ | ✓ | ✓ | ✓ |
| Steel | | | ✓ | ✓ | ✓ | ✓ |
| Stainless | | | ✓ | ✓ | ✓ | ✓ |

Nosepieces
included:

| | | | | | |
|--|--|---|---|---|---|
| | | ✓ | ✓ | ✓ | ✓ |
|--|--|---|---|---|---|

Technical parameters:

| Model | HL 6M |
|----------------|--------|
| Working stroke | 16 mm |
| Weight | 1.9 kg |
| Length | 530 mm |
| Height | 150 mm |

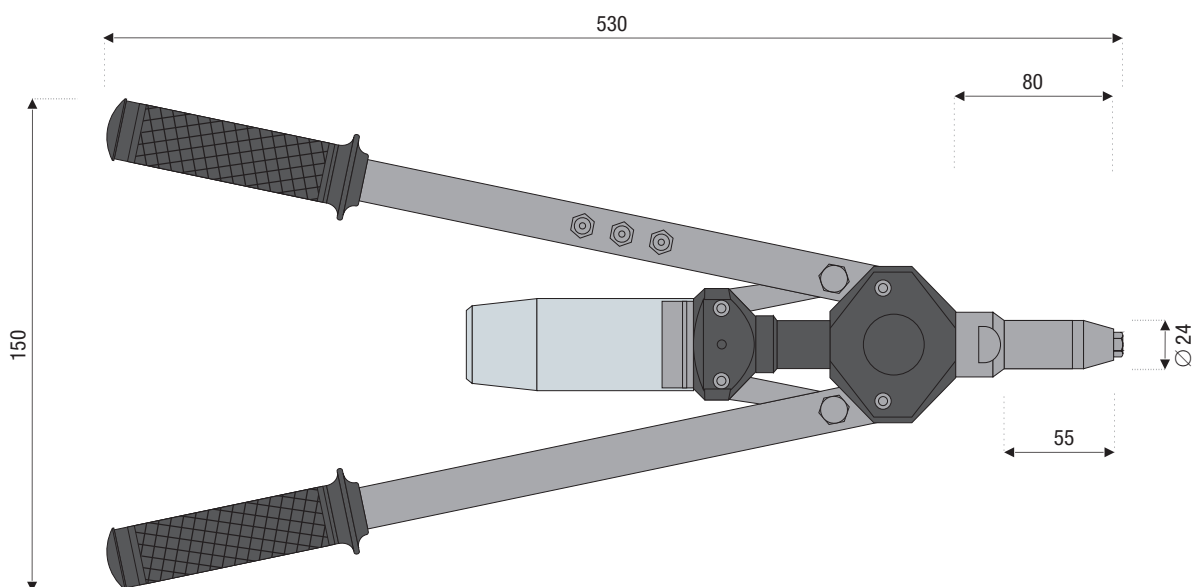
Description:

- long levers and adjustable nozzle provides sufficient
- used to install medium and large series of rivets
- spare nosepieces on the lever of the pliers strength and comfortable riveting
- high efficiency and reliability
- robust construction
- adjustable nose housing



Dimensions of tool:

HL 6M



Standard accessories:

| Description | Part No. |
|-------------------|----------|
| Nosepiece 4 | 87-0018 |
| Nosepiece 4.8/5 | 87-0019 |
| Nosepiece 6 | 87-0020 |
| Nosepiece 6.4 | 87-0021 |
| Jaws Set | 87-0052 |
| Mandrel Collector | 87-0287 |